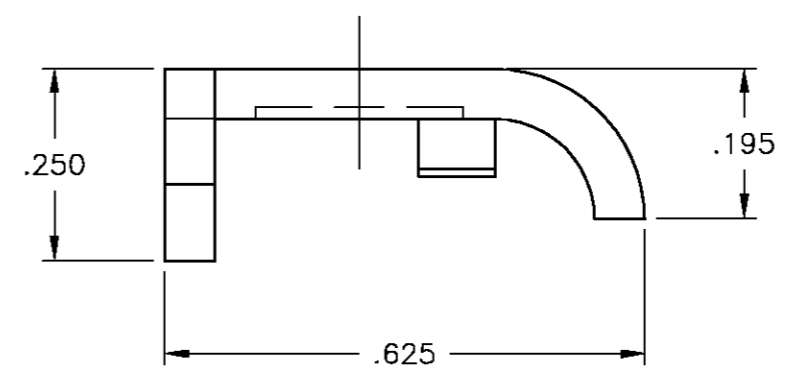
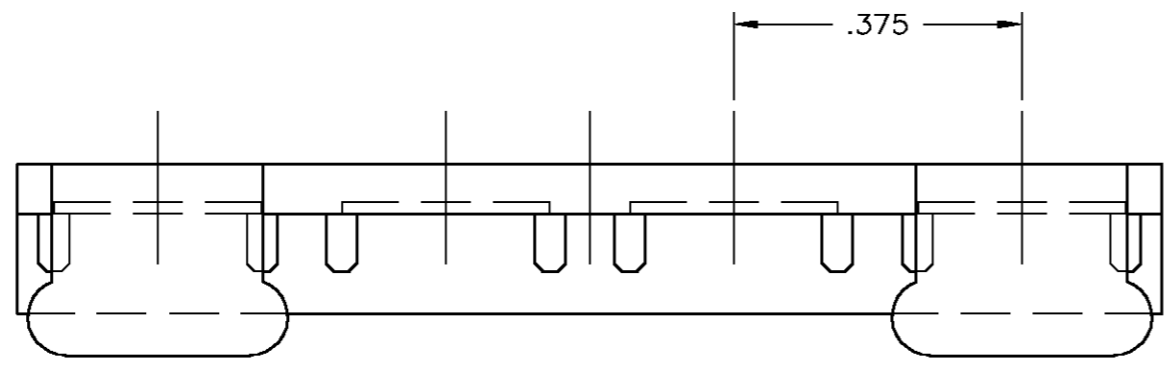
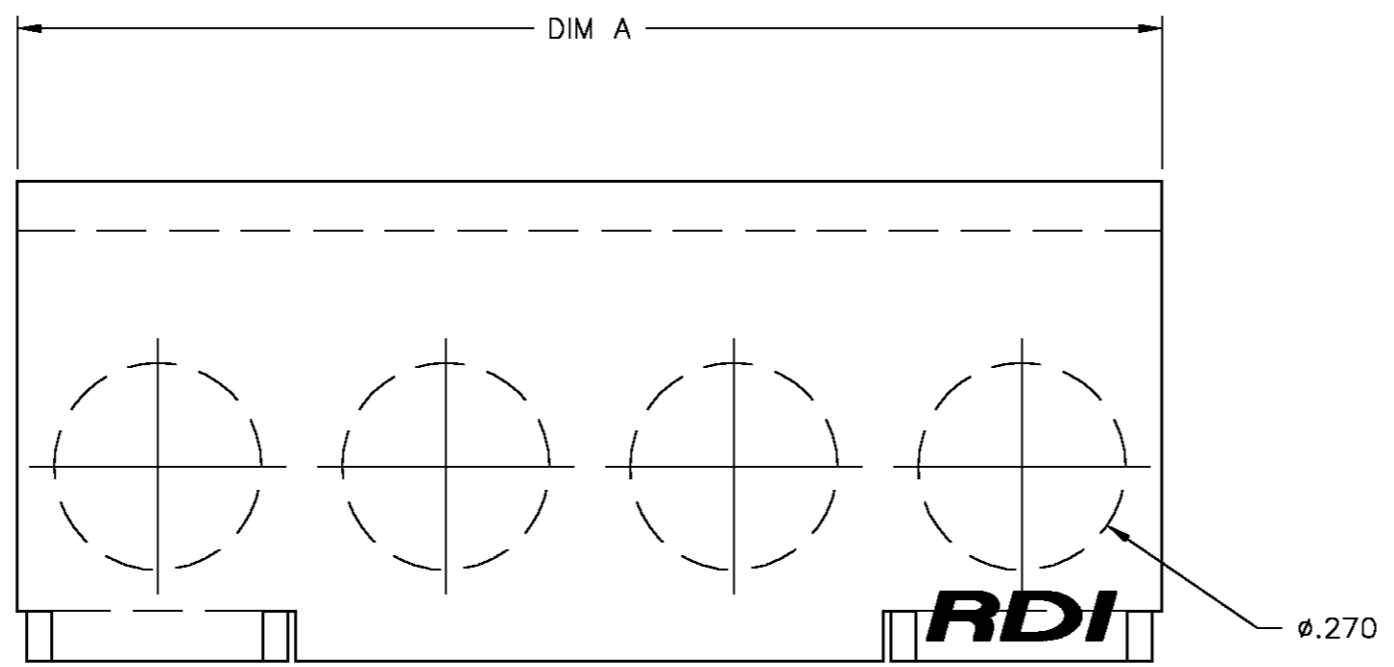


THIS DRAWING IS UNPUBLISHED. RELEASED FOR PUBLICATION
 © COPYRIGHT BY TYCO ELECTRONICS CORPORATION. ALL RIGHTS RESERVED.

LOC		DIST		REVISIONS			
P	LTR	DESCRIPTION		DATE	DWN	APVD	
0		REVISED PER 0G3B-0562-03		7/9/03	SS	SRY	

- NOTES:
- ⚠ MATERIAL: POLYPHENYLENE OXIDE UL94V-0, BLACK.
 - ⚠ 2 POSITION HAS RDI LOGO OMITTED.
 - 3. FOR USE WITH 6 SERIES BARRIER STRIPS.
 - ⚠ PRELIMINARY PART NUMBER.



⚠	DIM A	NO. OF POS.	CATALOG NUMBER	PART NUMBER
⚠	5.991	16	TC6-16-PF	1-1546774-6
⚠	5.616	15	TC6-15-PF	1-1546774-5
⚠	5.241	14	TC6-14-PF	1-1546774-4
⚠	4.866	13	TC6-13-PF	1-1546774-3
⚠	4.491	12	TC6-12-PF	1-1546774-2
⚠	4.116	11	TC6-11-PF	1-1546774-1
	3.741	10	TC6-10-PF	4-1437661-3
	3.366	9	TC6-09-PF	7-1437661-0
	2.991	8	TC6-08-PF	3-1437661-9
	2.616	7	TC6-07-PF	6-1437661-9
	2.241	6	TC6-06-PF	3-1437661-5
	1.866	5	TC6-05-PF	3-1437661-3
	1.491	4	TC6-04-PF	3-1437661-1
	1.116	3	TC6-03-PF	2-1437661-8
⚠	.741	2	TC6-02-PF	9-1437661-5

THIS DRAWING IS A CONTROLLED DOCUMENT.		DWN	S SCHLEGEL	7/9/03
DIMENSIONS: INCHES		CHK	S YODER	7/9/03
TOLERANCES UNLESS OTHERWISE SPECIFIED:		APVD	S YODER	7/9/03
0 PLC	± -	PRODUCT SPEC		
1 PLC	± -	APPLICATION SPEC		
2 PLC	± -	WEIGHT		
3 PLC	± .010	SCALE		
4 PLC	± -	SHEET		
ANGLES	± -	REV		
FINISH	-	CUSTOMER DRAWING		

MATERIAL		BUCHANAN		Tyco Electronics Corporation	
-		Harrisburg, PA 17105		TC6-XX-PF TERMINAL BLOCK COVER	
SIZE	CAGE CODE	DRAWING NO	RESTRICTED TO		
A2	00779	C=2-1437661-8	-		
SCALE		SHEET		REV	
4:1		1 OF 1		0	

2-1437661-8